

# ASH HANDLING REPLACEMENT PARTS



# CERAMIC LINED FLYASH DIFFUSER FEEDER

**Power and Industrial Services manufactures improved replacement parts for your United Conveyor ash systems. Harder wear resistant cast metals and custom ceramic linings will reduce your maintenance costs by giving you longer wearlife.**

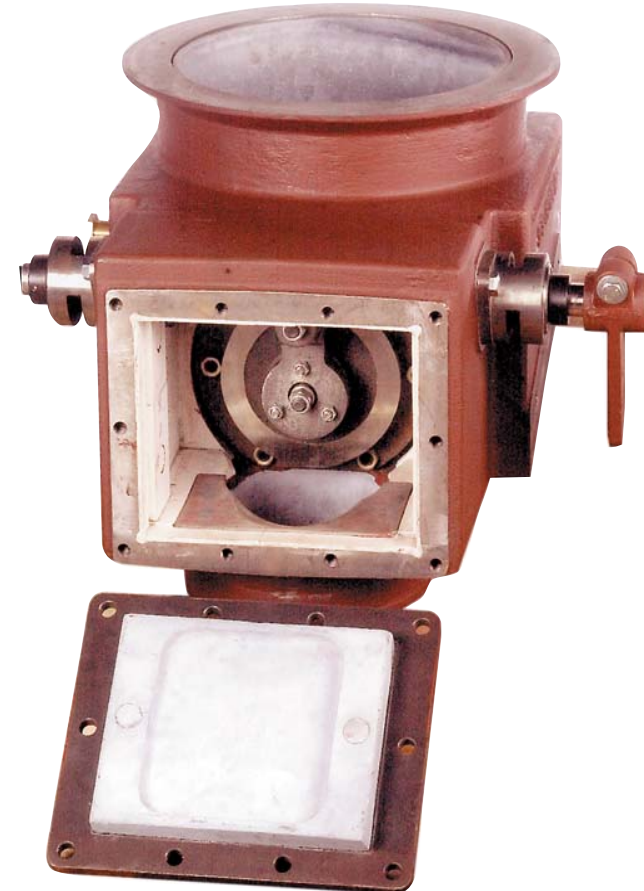
- **Interchangeability of assemblies and spare parts with United Conveyor assemblies and parts**
- **Extensive stock program**

## ***CUSTOM CERAMIC LINING***

- **All potential wear surfaces have alumina and/or silicon carbide linings**

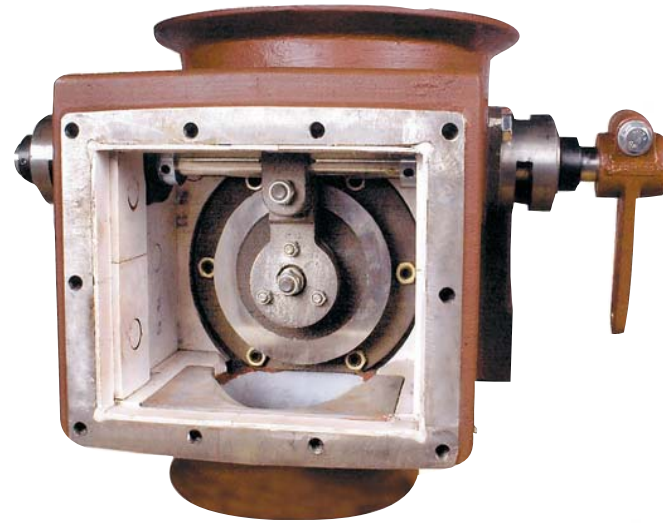
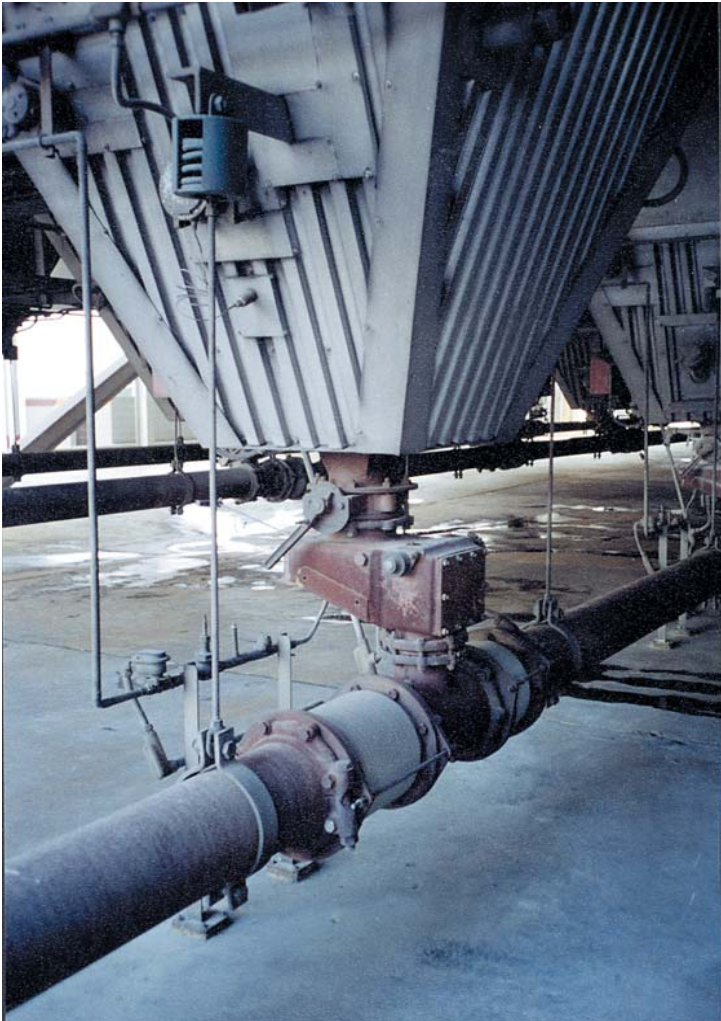
## ***WEAR RESISTANT PARTS***

- **600 BHN investment cast seat**



# CERAMIC LINED FLYASH DIFFUSER FEEDER

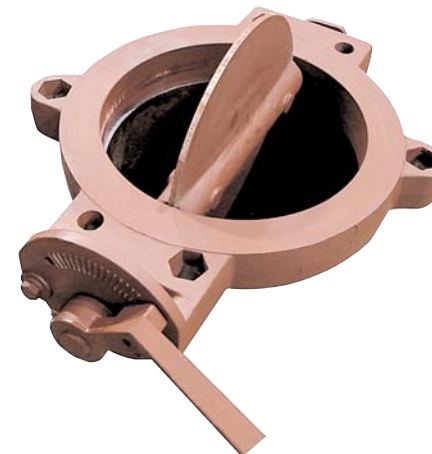
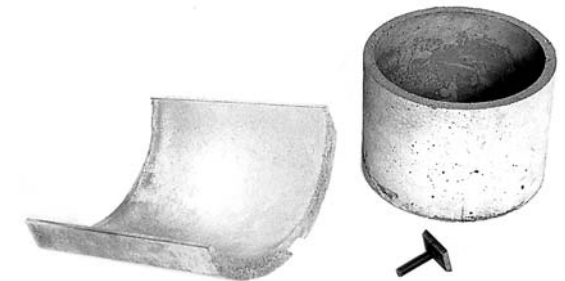
- Spare parts are interchangeable with your O.E.M. spare parts



**BUTTERFLY VALVE**  
• DIFFUSE FEEDER  
• DISCHARGE TEE



**CERAMIC LINED DISCHARGE TEE**



**12" BUTTERFLY VALVE**  
• SHAFT PROTECTORS  
TO PREVENT ASH EROSION

# CERAMIC LINED FLYASH INTAKE VALVE

*Silicon Carbide body liner—one piece*

*Machine ground ceramic or NiHard gate*

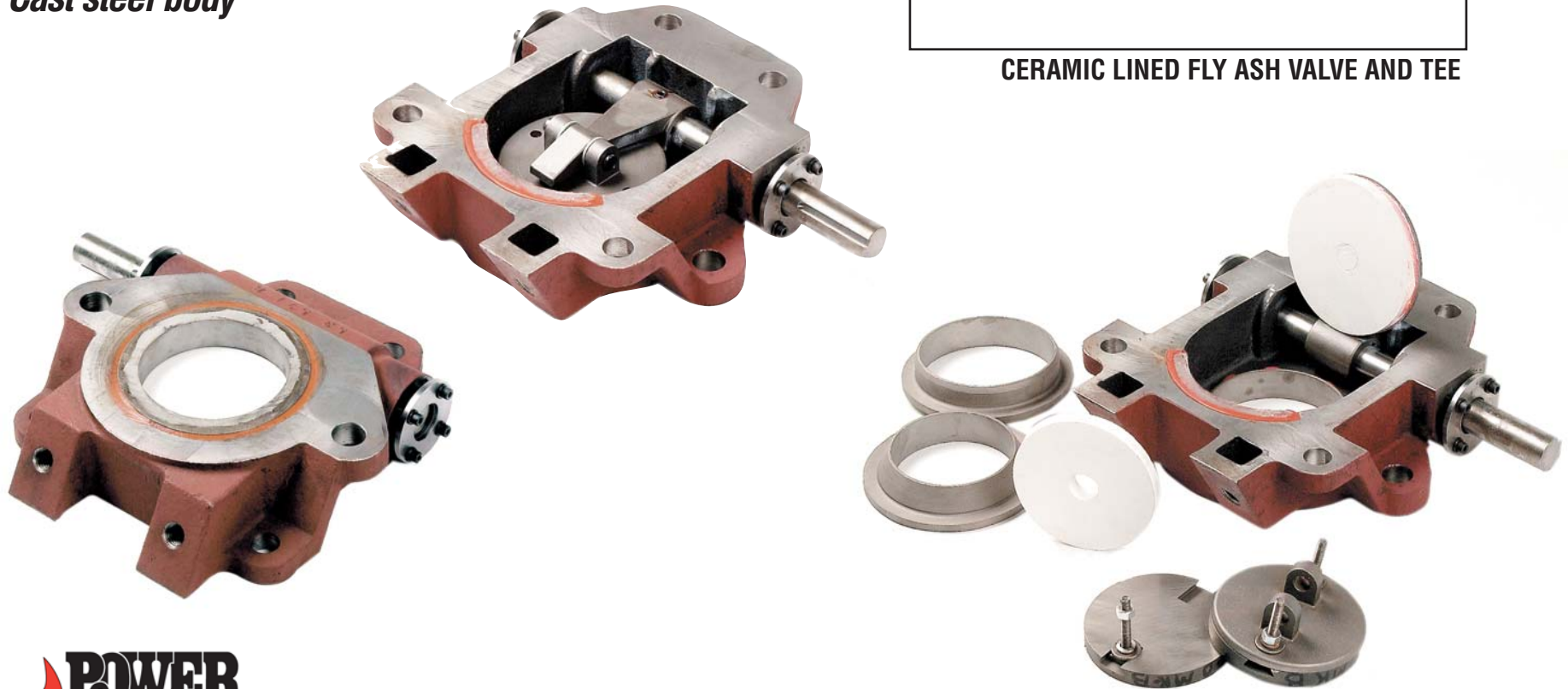
*Replaceable seat—600 Brinell investment cast*

- *Model A—4 5/8" I.D. Throat*
- *Model B—4" I.D. Throat*

*Cast steel body*



CERAMIC LINED FLY ASH VALVE AND TEE

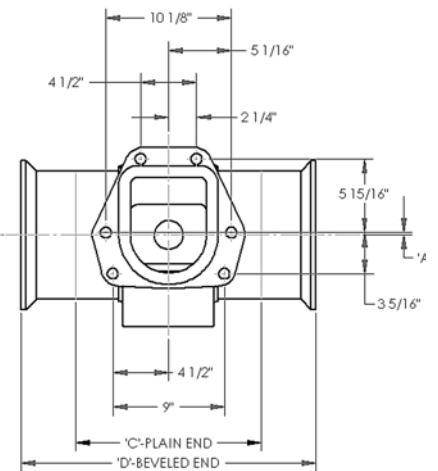
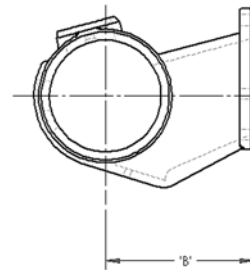
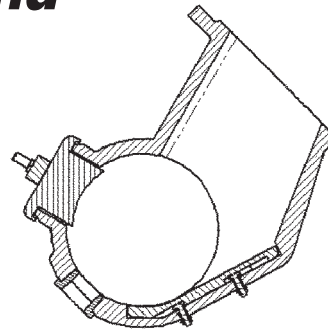


# CERAMIC LINED FLYASH INTAKE TEE

*Plain end*



*Beveled end*



Pipe Size	P&I Part No.	A	B	C	D
6"	53-556	2 13/26"	9 13/16"	15"	23 3/4"
7"	53-557	3/16"	10 7/16"	15"	23 3/4"
8"	53-527	3/16"	10 7/16"	15"	23 3/4"
9"	53-559	3/16"	12"	15"	17 1/2"

Complete assembly:

- Silicon Carbide liner
- Handhole plug and gasket
- Retaining bar and bolts

The 500 Brinell white iron body is cast with a recess in the wear area. A specially designed one piece silicon carbide liner with back mounted attachment bolts is installed into the recess providing a smooth ash flow.

- Double the Brinell of the O.E.M. Tees



# FLYASH DIFFUSER STONES

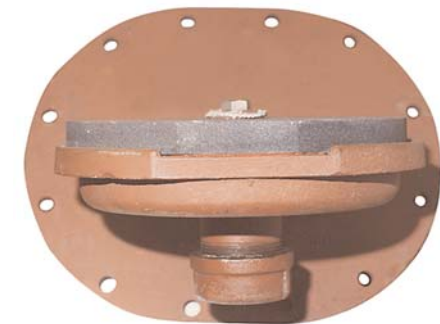
## *Stainless steel fluidizing assembly*

Power & Industrial Services offers a stainless steel fluidizing assembly consisting of a 316 stainless steel wire mesh fluidizing media with an upper and lower retaining bracket. The assembly is a superior substitute for the diffuser stones.

- Cleanable
  - Moisture resistant
  - Damage resistant
  - Lower pressure drop
- } = *LONGER LIFE*



ALL SIZES IN STOCK



# ABRASION RESISTANT BOTTOM ASH SLURRY VALVE

## Features

- Steel body with tungsten carbide lined wear areas
- Reinforced abrasion resistant molded valve seat
- Surface ground stainless steel gate
- Molded neoprene gate seal
- Pneumatic cylinder with limit switches
- 150 lb. flange drilling



BOTTOM ASH SLURRY

- FLY ASH & BOTTOM ASH PIPE
- 300 BRINELL
- 500 BRINELL
- PLAIN END
- MECHANICAL END JOINTS



CERAMIC LINED ELBOW



TUNGSTEN CARBIDE  
PLATELET LINED GATE  
GUIDE AND WEAR  
SURFACE, 1/16" THICK

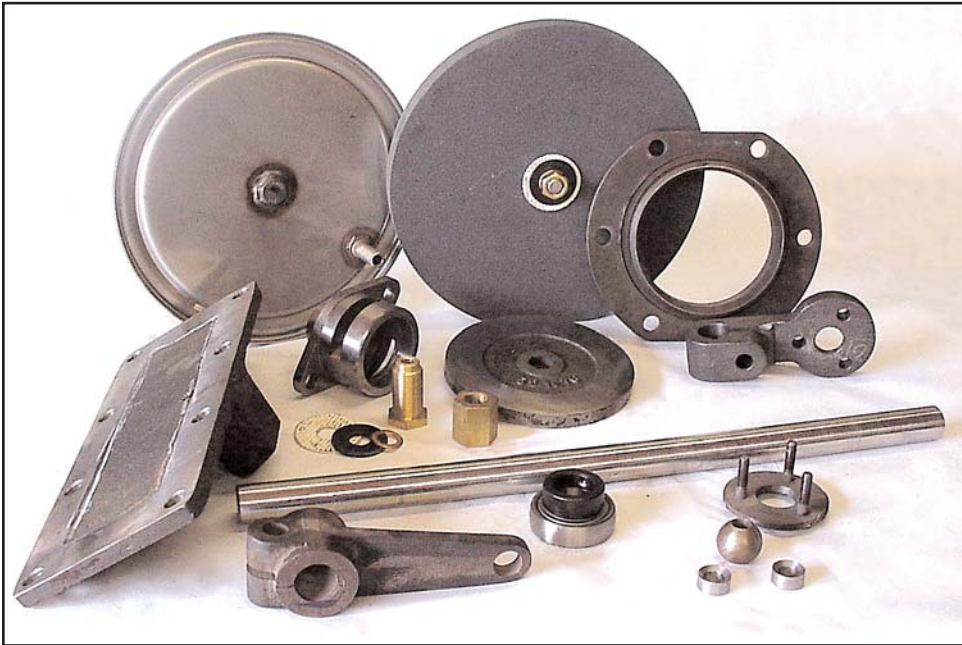
REPLACEABLE ABRASION  
RESISTANT MOLDED SEAT



# ASH HANDLING REPLACEMENT PARTS

## *STOCKING PROGRAM*

- Spare Parts
- Complete Assemblies





# ASH HANDLING REPLACEMENT PARTS TYPE E VALVES FOR USE IN ALLEN SHERMAN HOFF EQUIPMENT



- **Replaceable NiHard or silicon carbide body liners**
- **Tungston Carbide Lined Gates and seats**
- **Complete assemblies**